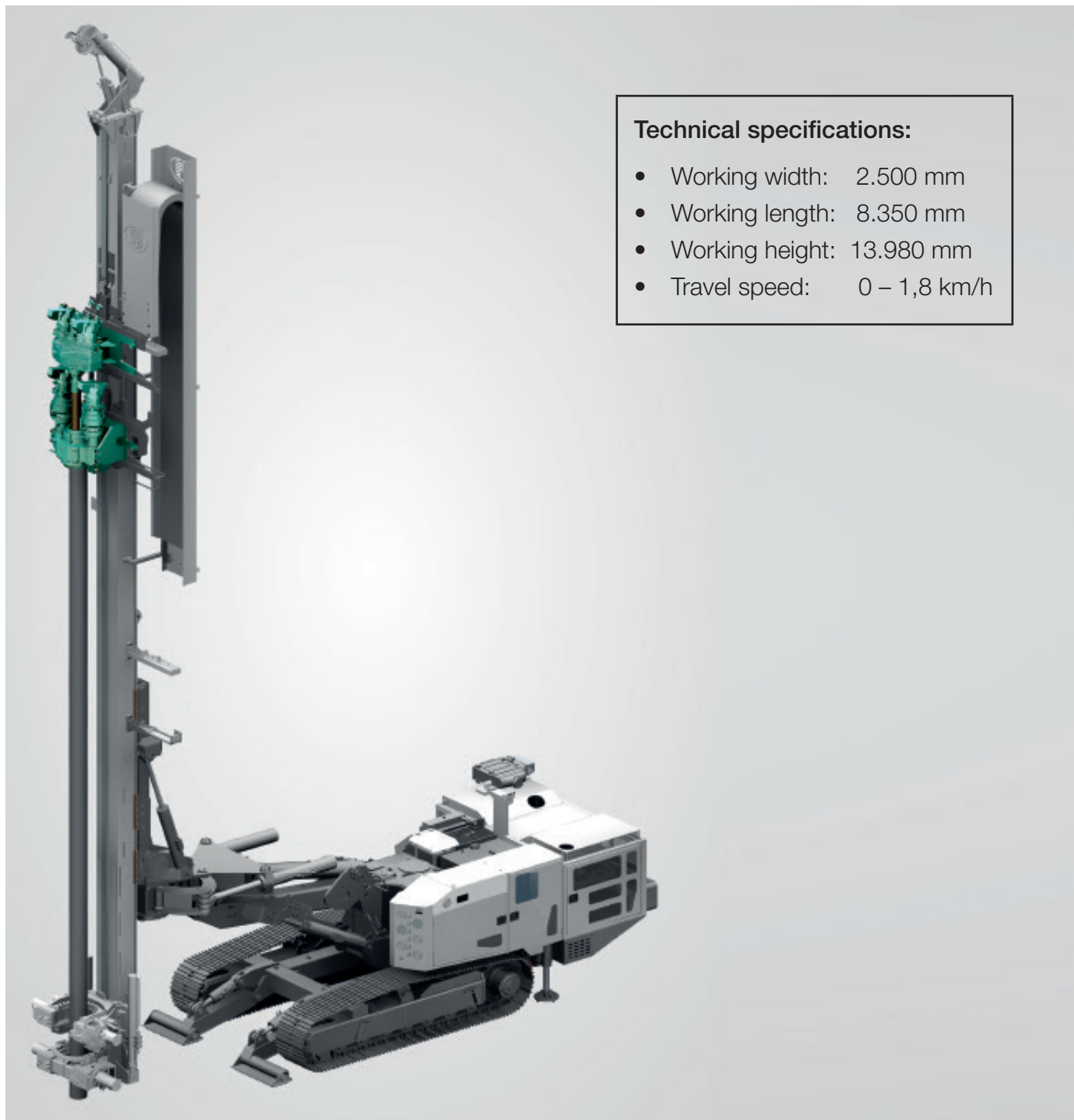


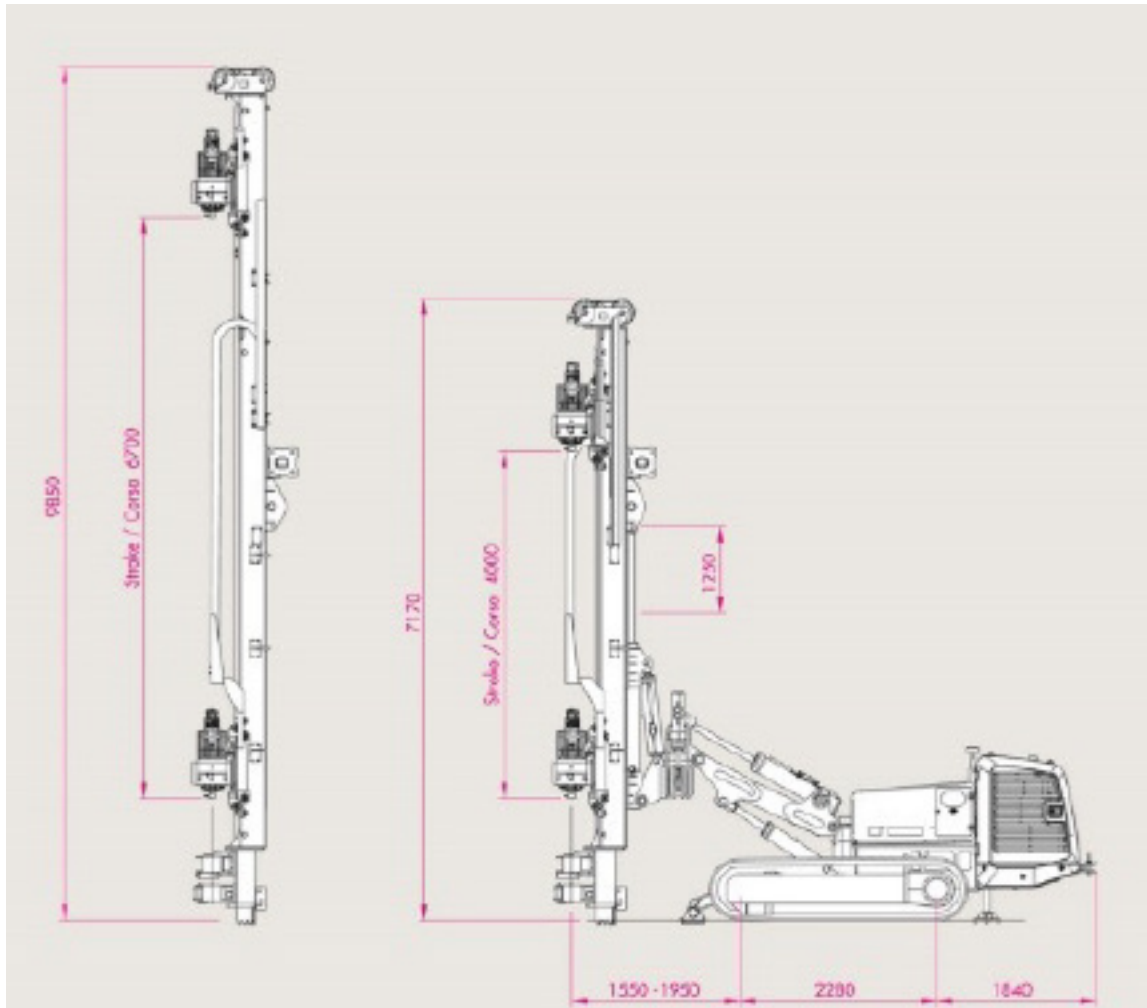
The **Hydraulic Crawler Drill C9 XP** is a radio-controlled unit that can successfully drill into technically difficult conditions using a wide range of drilling methods. It is designed and manufactured to tackle the larger projects in the field of foundation and is suited for constructing anchors and micropiles and is particularly suited to jet-grouting.



Technical specifications:

- Working width: 2.500 mm
- Working length: 8.350 mm
- Working height: 13.980 mm
- Travel speed: 0 – 1,8 km/h

DIMENSIONS



TRANSPORT DIMENSIONS

