

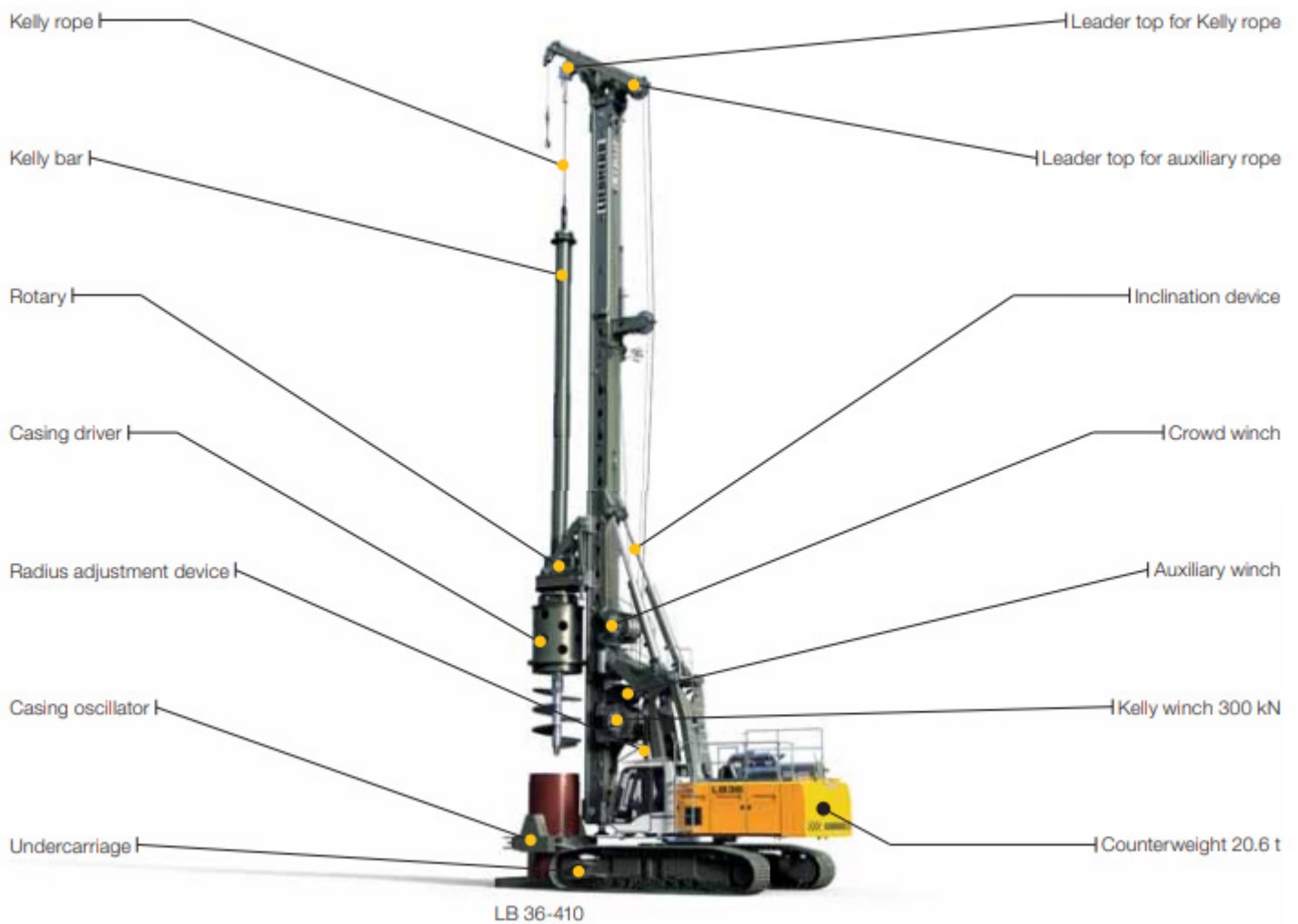
The **LB 36-410 rotary drilling rig** is used for wide variety of applications: Kelly drilling, auger drilling, full displacement drilling, double rotary drilling. Profitability and safety are key factors: the machine is designed for easier transport and quick installation on construction site. Despite the large class of the machine, the upper carrier is compact and intended for small working radii. This allows works in places with limited space. When making piles with a very large cross section it can be optionally equipped with an additional equipment package. This includes an extended drilling axis, larger ballast weight and longer line.



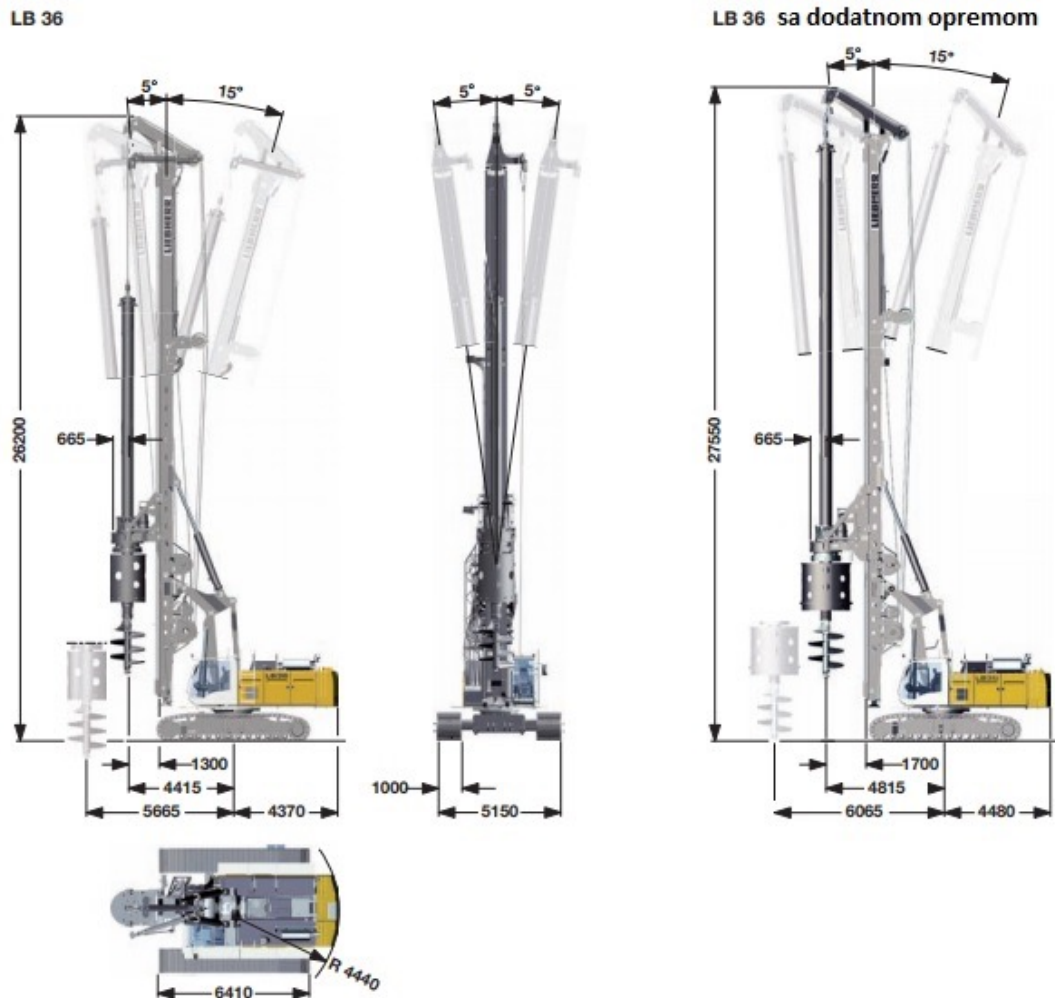
Technical data:

- Working weight: 115.0 t
- Rotary drive - torque: 410 kNm
- Engine power: 390 kW
- Kelly drilling, max. drilling depth: 88.0 m
- Kelly drilling, max. drilling diameter: 3.000 mm
- CFA drilling, max. drilling depth: 25,8 m
- CFA drilling, max. drilling diameter: 1200 mm
- Continuous flight auger drilling, max. drilling depth: 25,8 m
- Full displacement drilling, max. drilling diameter: 600 mm
- Double rotary drilling, max. drilling depth: 17,3 m
- Double rotary drilling, max. drilling diameter: 750 mm
- Min. transport width: 3.600 mm
- Min. transport height: 3.390 mm

BASIC PARTS



DIMENSIONS



ACCESORY TOOLS / EQUIPEMENT FOR LIEBHERR36-410 DRILLING SET:

1. Rock auger, double blade type AU-RSC2, diameter 1680 mm, 1,5 m,
2. Double wall column/10+18 mm/, diameter 1800/1720 mm, 1 m,
3. Double wall column /10+18 mm/, diameter 1800/1720 mm, 3 m,
4. Double wall column /10+18 mm/, diameter 1800/1720 mm, 4 m,
5. Column foot, diameter 1800 mm, 1 m, with welding blocks,
6. Ball grip LKG1-200 CAT.